

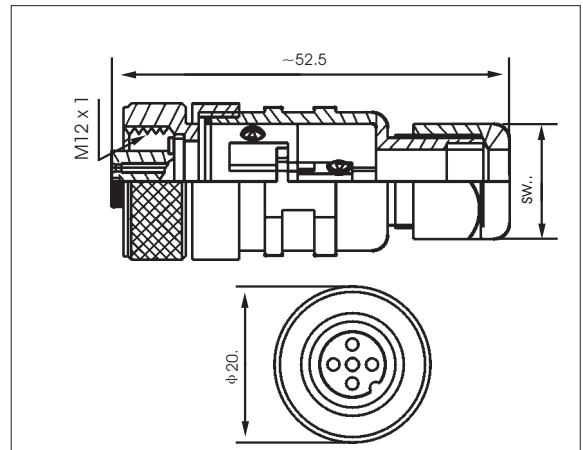
EURO-STYLE QUICK DISCONNECT RECEPTACLES

View



- Female Euro-style with locknut
- PA, self-extinguishing molded connector shell
- Convenient screw terminations

Dimensional data



Technical Data

Application Class: HNA acc. to DIN 40040
(-40 °C / +90 °C / ≤ 100%rF)

Moulded Body: PA, self-extinguishing

Nominal Power: 4A

Nominal Voltage: 3+4poles, 125VAC/150VDC
5poles, 30VAC/36VDC

Contact: CuZn, 2-4UM/CuSnZn

O-Ring: NBR

Body: PA, self-extinguishing
Locknut: Nickel plated brass

Protection: IP 67
Mode of Connection: Screw clamps

Insulation Group: C acc. to VDE 0110

Test Voltage: 3+4poles, 1,25 KV eff./60s.
5poles, 1,0 KV eff./60s.

Insulation Resistance: > 10⁹ Ω

Catalog Number

Part-No	Poles	Face View female	Max. Wire section (mm ²)	SW ...	Screw Joint for cable
R-FS4/3KZ/PG7	4		max. 0.75mm ²	15	PG7 φ 4.0-6.0mm
R-FS4/3KZ/PG9				19	PG9 φ 6.0-8.0mm
R-FS4KZ/PG7	4		max. 0.75mm ²	15	PG7 φ 4.0-6.0mm
R-FS4KZ/PG9				19	PG9 φ 6.0-8.0mm
R-FS5KZ/PG7	5		max. 0.75mm ²	15	PG7 φ 4.0-6.0mm
R-FS5KZ/PG9				19	PG9 φ 6.0-8.0mm

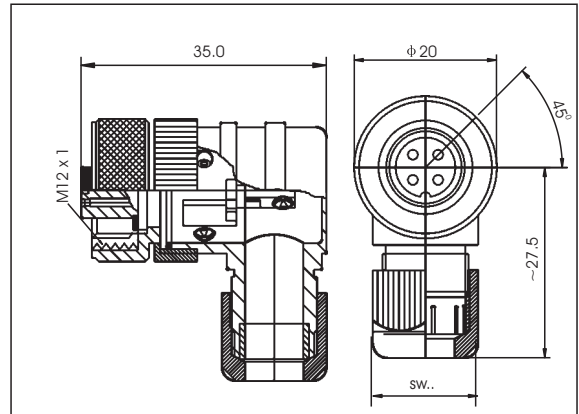
EURO-STYLE QUICK DISCONNECT RECEPTACLES

View



- Female Euro-style with locknut
- Right-angle style
- Nylon molded connector shell
- Convenient screw terminations

Dimensional data



Technical Data

Application Class: HNA acc. to DIN 40040
 (-40 °C / +90 °C / ≤ 100%rF)

Moulded Body: PA self-extinguishing

Nominal Power: 4A

Nominal Voltage: 3+4poles, 125VAC/150VDC
 5poles, 30VAC/36VDC

Contact: CuZn, 2-4UM CuSnZn

O-Ring: NBR

Body: PA, self-extinguishing

Locknut: Nickel plated brass

Protection: IP 67

Mode of Connection: Screw clamps

Insulation Group: C acc. to VDE 0110

Test Voltage: 3+4poles, 1,25 KV eff./60s.
 5poles, 1,0 KV eff./60s.

Insulation Resistance: > 10⁹ Ω

Catalog Number

Part-No	Poles	Face View female	Max. Wire section	Screw Joint for cable	SW ...
R-FA4/3KZ/PG7	4		max. 0.75mm ²	PG7 φ4.0-6.0mm	15
R-FA4/3KZ/PG9				PG9 φ6.0-8.0mm	19
R-FA4KZ/PG7	4		max. 0.75mm ²	PG7 φ4.0-6.0mm	15
R-FA4KZ/PG9				PG9 φ6.0-8.0mm	19
R-FA5KZ/PG7	5		max. 0.75mm ²	PG7 φ4.0-6.0mm	15
R-FA5KZ/PG9				PG9 φ6.0-8.0mm	19

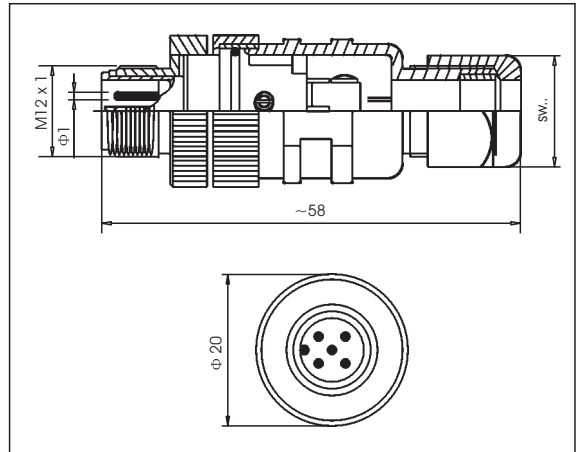
EURO-STYLE QUICK DISCONNECT RECEPTACLES

View



- Male Euro-style with locknut
- Nylon molded connector shell
- Convenient screw terminations

Dimensional data



Technical Data

Application Class: HNA acc. to DIN 40040
 (-25 °C / +90 °C / $\leq 100\%rF$)

Moulded Body: PA, self-extinguishing

Nominal Power: 4A

Nominal Voltage: 3+4poles, 125VAC/150VDC
 5poles, 30VAC/36VDC

Contact: CuSn, 2-4UM CuSnZn

O-Ring: NBR

Body: PA, self-extinguishing

Locknut: Nickel plated brass

Protection: IP 67

Mode of Connection: Screw clamps

Insulation Group: Cacc.to VDE 0110

Test Voltage: 3+4poles, 1,25 KV eff./60s.
 5poles, 1,0 KV eff./60s.

Insulation Resistance: $> 10^9 \Omega$

Catalog Number

Part-No	Poles	Face View male	Max. Wire section	Screw Joint for cable	SW ...
R-MS3KZ/PG7	3		max. 0.75mm ²	PG7 $\phi 4.0-6.0\text{mm}$	15
R-MS3KZ/PG9				PG9 $\phi 6.0-8.0\text{mm}$	19
R-MS4KZ/PG7	4		max. 0.75mm ²	PG7 $\phi 4.0-6.0\text{mm}$	15
R-MS4KZ/PG9				PG9 $\phi 6.0-8.0\text{mm}$	19
R-MS5KZ/PG7	5		max. 0.75mm ²	PG7 $\phi 4.0-6.0\text{mm}$	15
R-MS5KZ/PG9				PG9 $\phi 6.0-8.0\text{mm}$	19

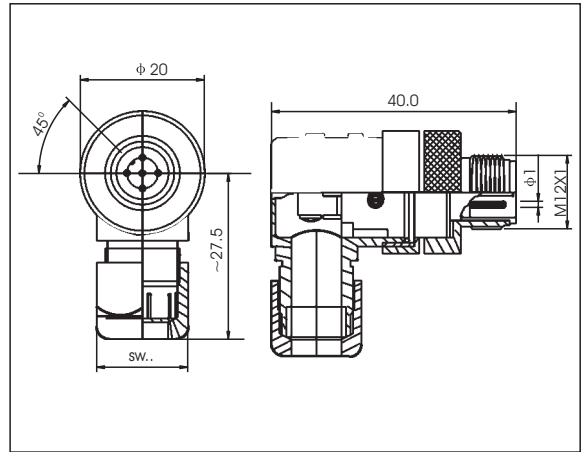
EURO-STYLE QUICK DISCONNECT RECEPTACLES

View



- Male Euro-style with locknut
- Right-angle type
- Nylon molded connector shell
- Convenient screw terminations

Dimensional data



Technical Data

Application Class: HNA acc. to DIN 40040
 (-25 °C +90 °C / ≤ 100%rF)

Moulded Body: PA, self-extinguishing

Nominal Power: 4A

Nominal Voltage: 3+4poles, 125VAC/150VDC
 5poles, 30VAC/36VDC

Contact: CuZn, 2-4UM/CuSnZn

O-Ring: NBR

Body: PA, self-extinguishing

Locknut: Nickel plated brass

Protection: IP 67

Mode of Connection: Screw clamps

Test Voltage: 3+4poles, 1,25 KV eff./60s.
 5poles, 1,0 KV eff./60s.

Insulation Group: C acc.to VDE0110

Insulation Resistance: > 10⁹ Ω

Catalog Number

Part-No	Poles	Face View male	Max. Wire section	Screw Joint for cable	SW ...
R-MA3KZ/PG7	3		max. 0.75mm ²	PG7 φ4.0-6.0mm	15
R-MA3KZ/PG9				PG9 φ6.0-8.0mm	19
R-MA4KZ/PG7	4		max. 0.75mm ²	PG7 φ4.0-6.0mm	15
R-MA4KZ/PG9				PG9 φ6.0-8.0mm	19
R-MA5KZ/PG7	5		max. 0.75mm ²	PG7 φ4.0-6.0mm	15
R-MA5KZ/PG9				PG9 φ6.0-8.0mm	19